

## Features & Options

### Standard Features

- 6'9" Wide, 7'0" Tall
- Triple Wall Construction
- Aluminum Exterior Sheets
- 1 Piece Aluminum Roof
- 4 Wheel Electric Brakes
- Easy Lube Hubs
- Radial Tires
- Aluminum Fenders, Tread Brite Tapered Steps & Front Gravel Guard
- Drop Down Feed Windows
- Windows Tail Side
- Screened Windows Each Side of Gooseneck
- Rubber Wall Mats
- Rubber Floor Mats
- Rubber Bumper
- Dome Light in Horse Compartment
- Double Rear Doors
- Slam Latch Dividers
- Epoxy Primer
- Infrared Cured Polyurethane Paint
- Molded Seven-Way RV Plug
- Break Away Switch with Battery
- One Year Limited Warranty

### Tack Room Features

- 32 Inch Inset Tack door
- Dome Light
- Corner Brush Tray - Water Tank Ready
- Tack Door Brush Tray
- Two, Three or Four Place Saddle Racks
- 16 Bridle Hooks
- 2 Blanket Rods
- Clothes Rod
- Camper Vent
- Carpeted Floor
- Carpeted GN Deck and Bulkhead
- Spare Tire Bracket

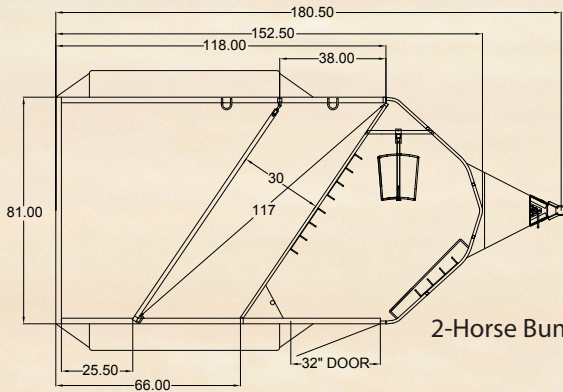
### Available Options

- Convenience Package\*
- Swing-out Saddle Rack
- Windows in Rear Doors
- 25 Gallon Water Tank
- Door Mounted Tack Organizer
- Sport Bag
- Flood Light
- Spare Tire
- Pop Up Roof Vent in Horse Area
- Chrome Center Caps
- Feed Bags
- Divider Pads
- Exterior Aluminum Ramp

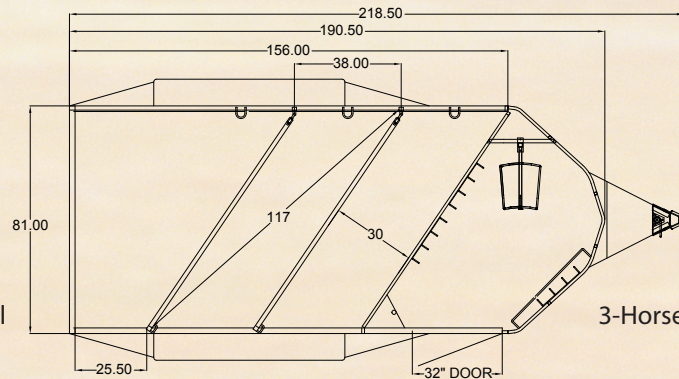
\* Convenience Package includes: swing-out saddle rack, spare tire, water tank, door mounted tack organizer, sport bag, load light by tack door and rear gate

**ADVENTURE**<sup>®</sup>  
**ALUMINUM** **MX**  
MAXIMUM

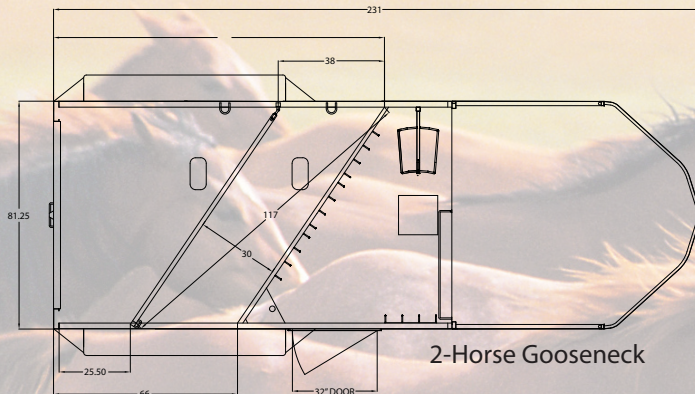
# ADVENTURE<sup>®</sup> ALUMINUM MX MAXIMUM



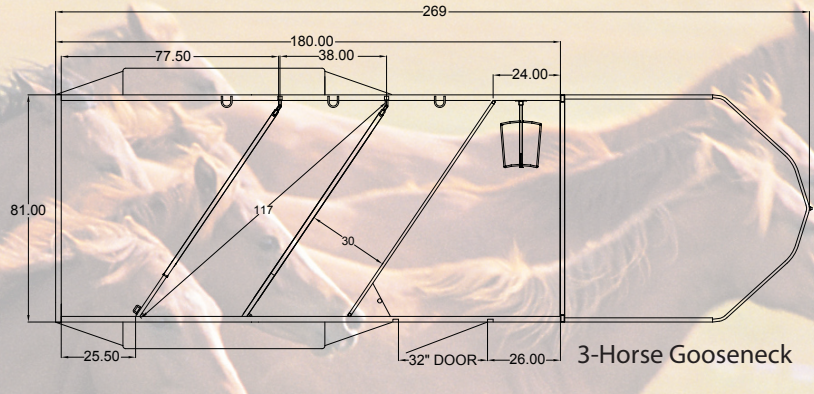
2-Horse Bumper Pull



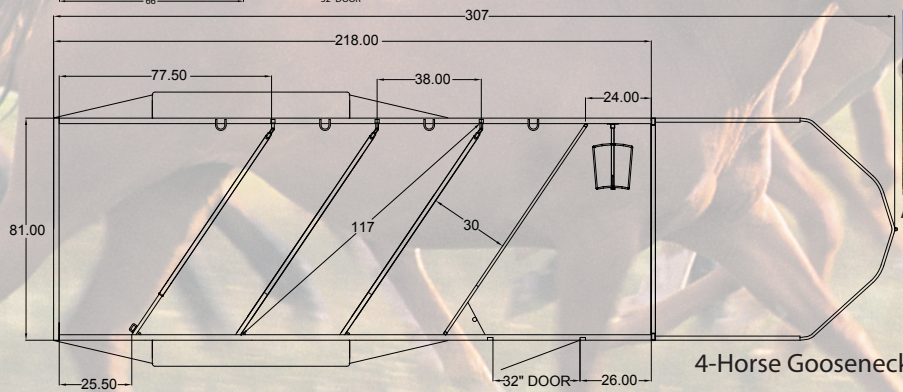
3-Horse Bumper Pull



2-Horse Gooseneck



3-Horse Gooseneck



4-Horse Gooseneck



Adventure MXII 2-Horse BP



Adventure MXII 3-Horse BP



Adventure MX 2-Horse GN



Adventure MX 2-Horse GN



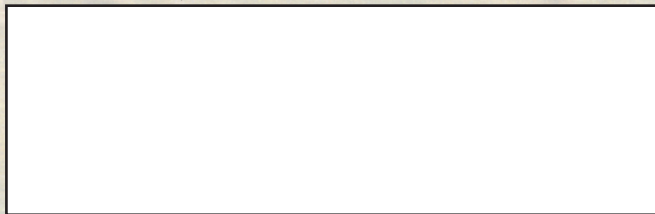
Adventure MX 3-Horse GN



Adventure MX 4-Horse GN

\*Models shown may have optional equipment.

Sold Exclusively At:



Authorized Dealer

*Trails West*

Trails West Manufacturing of Idaho, Inc.  
P.O. Box 67 - 65 North 800 West  
Preston, Idaho 83263  
WWW.TRAILSWESTTRAILERS.COM

©2017 Trails West Manufacturing of Idaho, Inc.

## Specification of Adventure Aluminum MX

Size	Floor Length	Width	Height	Weight	Axles	Tires
2 Horse BP	12'1"	6'9"	7'0"	2500#	3500#	15" 8 Ply LRD
3 Horse BP	15'3"	6'9"	7'0"	2850#	5200#	15" 8 Ply LRD
2 Horse GN	12'0"	6'9"	7'0"	4000#	3500#	16" 10 Ply LRE
3 Horse GN	15'0"	6'9"	7'0"	4400#	5200#	16" 10 Ply LRE
4 Horse GN	18'2"	6'9"	7'0"	4800#	5200#	16" 10 Ply LRE

For more information, call us at (208) 852-2200 or visit us at WWW.TRAILSWESTTRAILERS.COM