

HOT SHOT®



20ft. with Optional Stainless Steel Front



20ft. with Optional Sealed Angled Tack Package

24' Gooseneck
 7000# Torsion Axles
 14-Ply Radial Tires w/16" Wheels
 Length - 24' Floor - 32' Overall
 Weight - 5390 #
 Tongue Weight - 1300#

20' Gooseneck
 7000# Torsion Axles
 10-Ply Radial Tires w/16" Wheels
 Length - 20' Floor - 28' Overall
 Weight - 4990#
 Tongue Weight - 1280#

16' Gooseneck
 6000# Torsion Axles
 10-Ply Radial Tires w/16" Wheels
 Length - 16' Floor - 24' Overall
 Weight - 4420#
 Tongue Weight - 1050#

17' Bumper Pull
 5200# Torsion Axles
 10-Ply Radial Tires w/16" Wheels
 Length - 17' Floor/Overall
 Weight - 3500#
 Tongue Weight - 450#

14' Bumper Pull
 3500# Torsion Axles
 8-Ply Radial Tires w/15" Wheels
 Length - 14' Floor/Overall
 Weight - 3200#
 Tongue Weight - 380#

HOT SHOT®

 **Hauling cattle? Better have a HOT SHOT!**



HOT SHOT®

 **Hauling cattle? Better have a HOT SHOT!**

For More Information, Contact Us At (208) 852-2200 Or Visit Us At
WWW.TRAILSWESTTRAILERS.COM

Trails West®

EXCEED YOUR EXPECTATIONS, NOT YOUR BUDGET

For More Information, Contact Us At (208) 852-2200 Or Visit Us At

WWW.TRAILSWESTTRAILERS.COM

Sold Exclusively Through Authorized Dealers. Pictures may include optional equipment. Dimensions and weight are approximate and may vary from this brochure. Prices and specifications are subject to change with or without notice.

©2016 Trails West Manufacturing of Idaho, Inc.

Gooseneck

STANDARD FEATURES

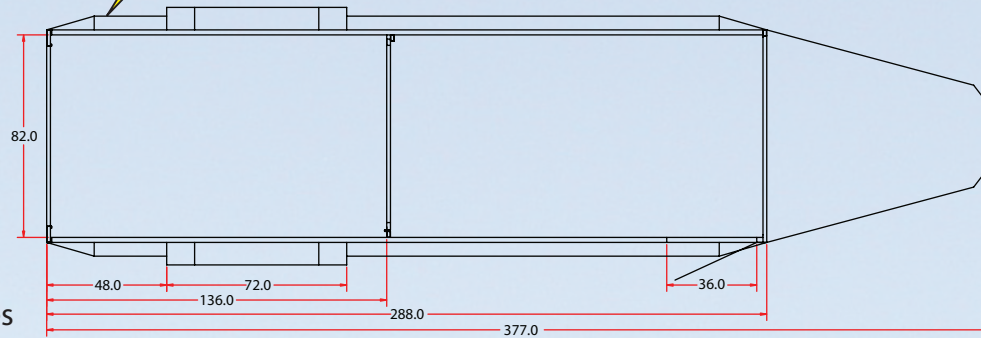
Electro-Galvanized Corrugated Steel Sides
7'0" Wide, 7'0" Tall
One Piece Aluminum Roof
Choice of Tan, Gray or White Paint
Aluminum Tread Brite Front
Full Aluminum Side Steps
2 5/16" Coupler
Slam Latch Rear Gate w/ Slider
Side Gate on Passenger Side
Gooseneck Calf Gate
Center Gate
Torsion Axles with Easy-Lube Hubs
Radial Tires
Rubber Dock Bumper
2" x 10" Douglas Fir Flooring

AVAILABLE OPTIONS

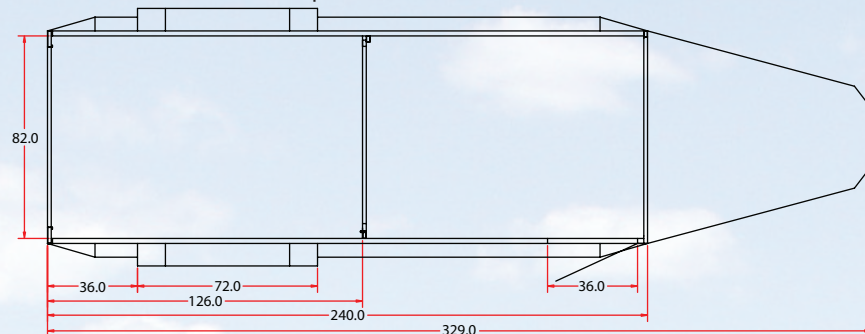
Additional Center Gate (24' Only)
Spare Tire and Wheel
Rubber Floor Mats
Stainless Steel Nose
Sealed Straight and Angled Tack Packages*
Swinging Angle Wall Tack Package**
Pop-up Roof Vents
Plexiglass over Air Gaps
Sort Gate in Center Gate
Enclosed Rear Gate
Rear Load Light
Solid, Non-Sliding Rear Gate

*Straight and Sealed Tack Packages Include:
(Straight Tack not available on Bumper Pull Models)

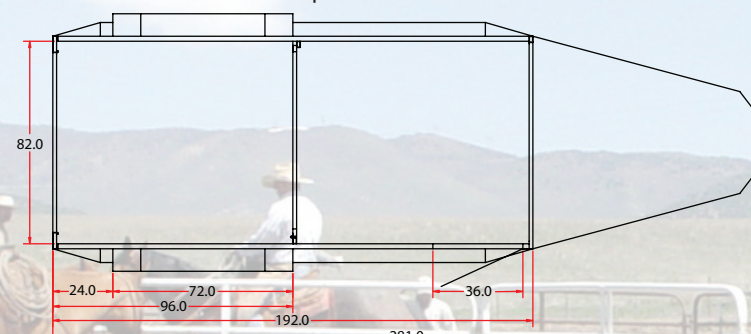
- Carpet GN Drop and Deck
- Solid, Non-Sliding Rear Gate
- Available Swing Out Saddle Rack
- Cross Gate in Stock Area (N/A on 16ft Trailer)
- 4 Tier Saddle Rack
- 2 Blanket Racks
- 12 Bridle Hooks
- Rubber Floor Mat in Tack Room
- GN Windows



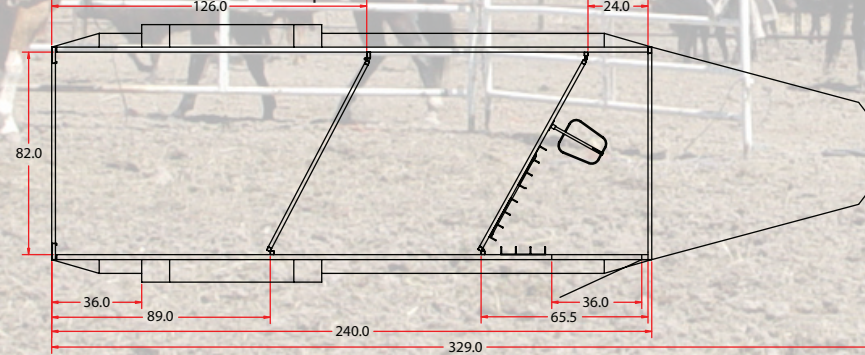
24ft. Open Stock



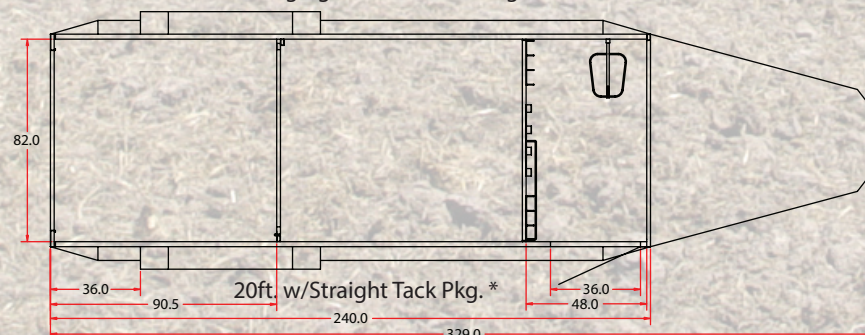
20ft. Open Stock



16ft. Open Stock



20ft. w/Swinging or Sealed Tack Pkg. **



20ft. w/Straight Tack Pkg. *

Bumper Pull

STANDARD FEATURES

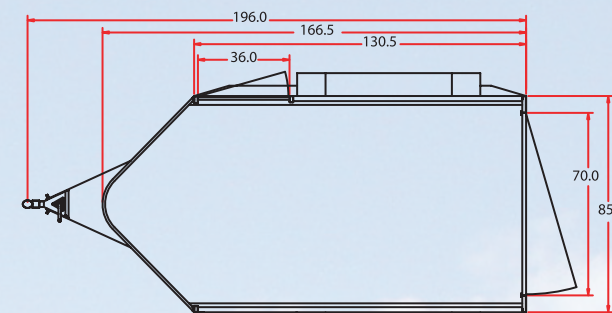
Electro-Galvanized Corrugated Steel Sides
7'0" Wide, 7'0" Tall
One Piece Aluminum Roof
Choice of Tan, Gray or White Paint
Aluminum Tread Brite Front
Full Aluminum Side Steps
2 5/16" Bulldog Coupler
Slam Latch Rear Gate w/ Slider
Side Gate on Passenger Side
Center Gate (17' Only)
Torsion Axles with Easy-Lube Hubs
Radial Tires
Rubber Dock Bumper
2" x 10" Douglas Fir Flooring

AVAILABLE OPTIONS

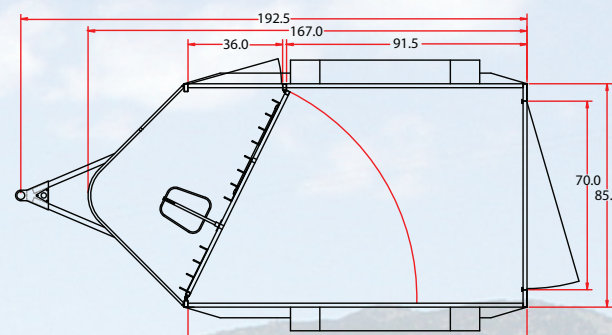
Spare Tire and Wheel
Rubber Floor Mats
Sealed Angle Wall Tack Package*
Swinging Angle Wall Tack Package**
Pop-up Roof Vents
Plexiglass over Air Gaps
Sort Gate in Center Gate
Enclosed Rear Gate
Rear Load Light
Solid, Non-Sliding Rear Gate

**Swinging/Sealed Tack Packages Include:

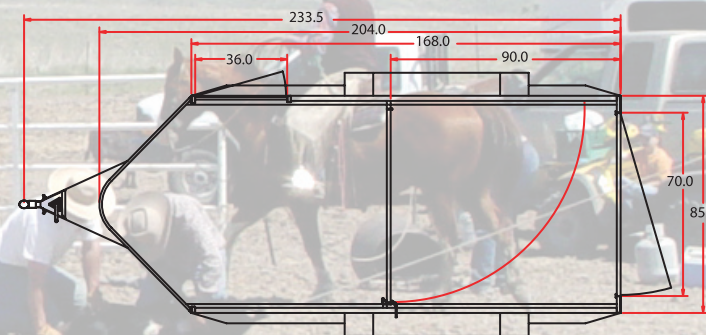
- Swinging or Sealed Angle Wall**
- Slant Gate (not available on 14')
- 4 Tier Saddle Rack
- 12 Bridle Hooks
- Available Swing Out Saddle Rack (sealed tack only)
- 2 Blanket Rods
- Omits Calf Gate in Goosenecks



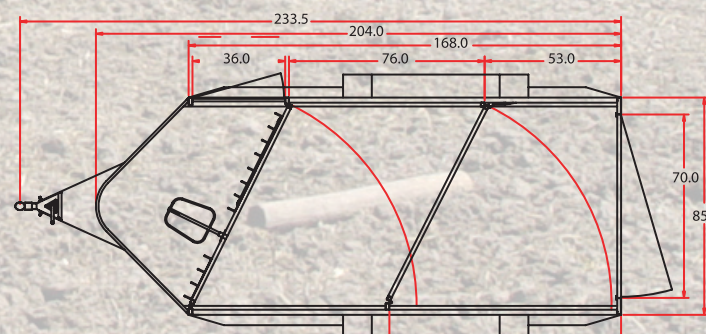
14ft. Open Stock



14ft. Swinging/Sealed Tack Package**



17ft. Open Stock



17ft. Swinging/Sealed Tack Package**